

INSTALLATION & CLEANING INSTRUCTIONS  
 HARLEY-DAVIDSON SUPER GLIDE FXR  
 MODEL'S 213, & S213  
 1987 to 1994

PARTS INVENTORY

<u>Item</u>	<u>Quantity</u>
3/8" x 3 1/4" SOCKET HEAD BOLT	2
3/8" MOUNTING SPOOL	4
3/8" x 2 1/4" SOCKET HEAD BOLT	2
1/2" x 9/16" x 3/8" BLACK PLASTIC SPACER	2
3/8" - 16 LOCKNUT	2
<i><b>TURN SIGNAL RELOCATION KIT includes:</b></i>	
ELECTRICAL WIRE	48"
WIRE CONNECTORS	4
TURN SIGNAL RELOCATION BRACKET	1
1/4" - 20 X 3/4" HEX CAP SCREW	2
1/4" SAE FLATWASHER	4
1/4" - 20 LOCKNUT	2
5/16" - 24 X 3/4" HEX CAP SCREW	2
5/16" LOCKWASHER	2
5/16" FLATWASHER	2

TURN SIGNAL RELOCATION

1. Refer to Figure 1.
2. Remove seat and license plate.

***SAFETY: DISCONNECT BATTERY PRIOR TO ALL WIRING MODIFICATIONS***

3. Remove turn signals. Observe and mark "left" and "right" for reinstallation. Remove stalk from each turn signal light.

*Turn signal bracket may be oriented forward or backward as required.*

4. Install turn signal bracket between license plate and license plate bracket using 1/4" - 20 X 3/4" Hex Cap Screws, 1/4" flat washers, and 1/4" x 20 locknuts.

5. Mount turn signals directly to bracket using 5/16 - 24 x 3/4" Hex Cap Screws, with 5/16" Flat washers and 5/16" Lock washers. For a clean installation remove top center mounting bolt on license plate bracket and run wires through this hole.

***Information: Not all license plate mounts are grounded. In some cases, it may be necessary to run a ground wire to turn signal bracket.***

***WARNING: States may have minimum width requirements on motorcycle turn signals. Please check your local laws.***

6. Turn signal wires must be extended. We recommend splicing inside turn signal housing. Splice wires, one at a time, while observing color-code.

7. Connect battery and test turn signals for function.

### SADDLEBAG INSTALLATION

8. Refer to Figure 2.

9. Remove front mounting bolts on rear fender each side and discard.

10. Install 3/8" x 3 1/4" socket head bolts and 3/8" mounting spools with chamfer on spool under socket head bolts. Secure with factory nut. Verify that adequate clearance exists between end of bolts and tire.

11. Remove rear mounting bolts on rear fender each side and discard.

12. Install 3/8" x 2 1/4" socket head Bolts and 3/8" mounting spools with chamfer on spool under socket head bolts. Install 1/2" x 9/16" x 3/8" Black Plastic Spacer that fits in recess of fender brace and secure with 3/8" - 16 locknut on inside of fender. Verify that adequate clearance exists between end of bolts and tire.

13. Reinstall seat.

***Information: Bags will be easier to mount and remove if a small amount of silicone lubrication is applied to rubber mounting points.***

14. Mount saddlebags over spools on fender strut and secure with clips retained inside bags.

15. Inspect each clip to verify each clip is properly seated in retaining groove. See View "A".

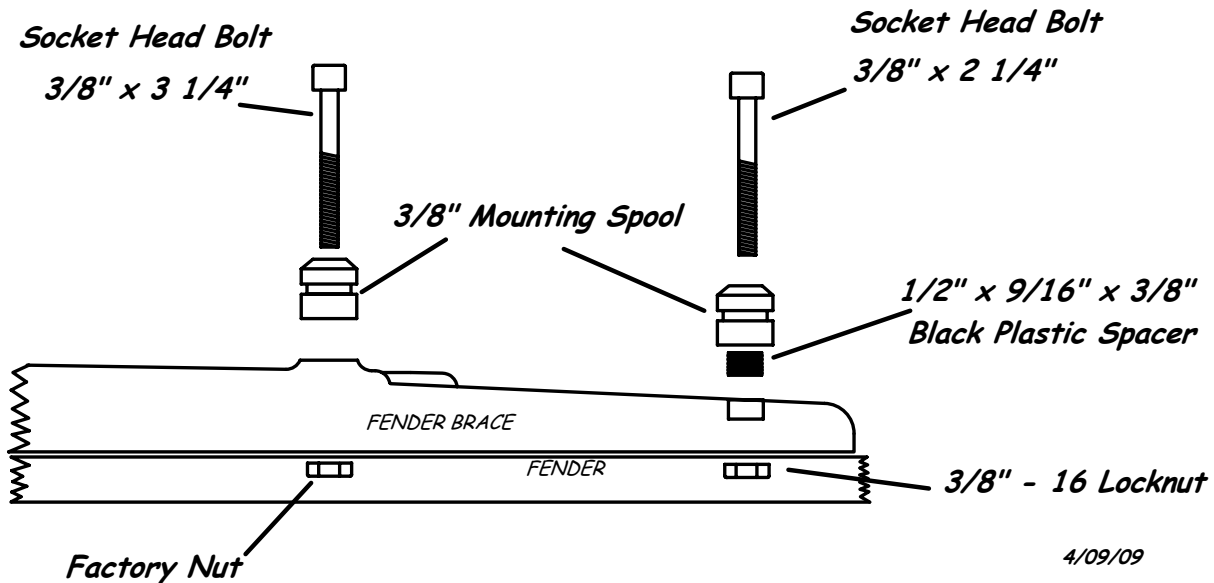
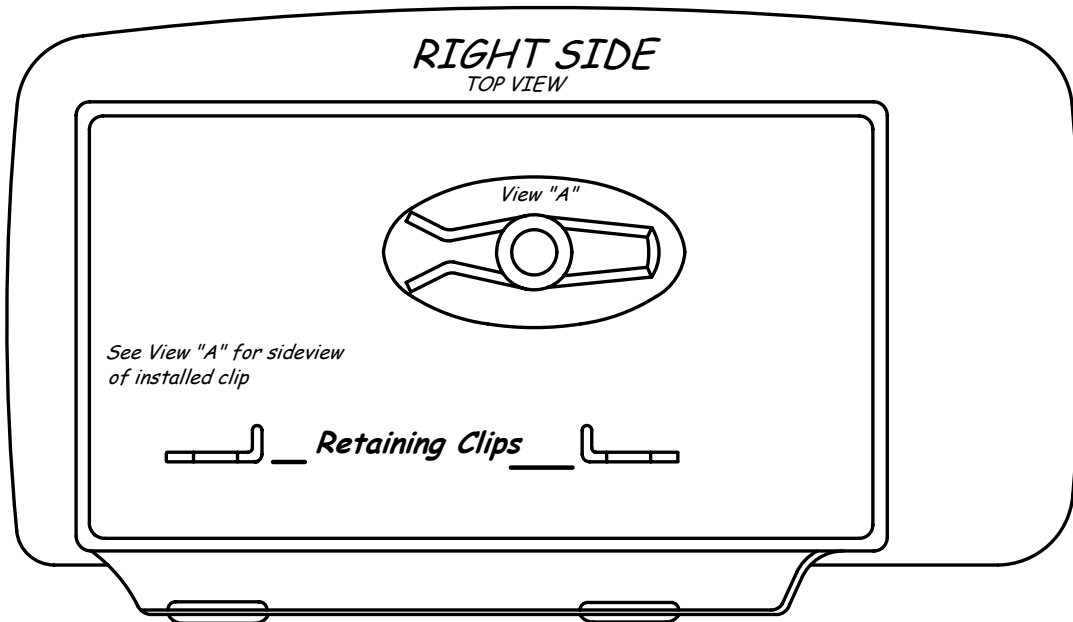
## SADDLEBAG CARE INSTRUCTIONS

- Do not exceed 20 lbs. per saddlebag this includes sitting or standing on bags, it is a common occurrence for a non-rider to attempt to sit on bags, this also may void warranty.
- Periodically, apply a small amount of silicone lubrication to rubber mounting points. Saddlebags will be easier to mount and remove.
- Remove grease, oil or mud with mild detergent and water. For fast touch-up, *Windex or Turtle Wax F-21* will restore original luster. The use of any other chemicals may discolor the saddlebags.
- Whenever possible, release locks on saddlebag lids to allow the gaskets to expand during storage.
- If you use bags to ice down drinks, later remove bags, drain water and blot up excess water. The foam interior lining is closed-cell foam and does not retain water. Leave lids open until interiors are dry.
- Use white *Scotch Brite* scour pad (ultra-fine, only) to remove scratches & shiny spots and restore luster. This can be purchased at an automotive supply store.
- + • When locking or unlocking saddlebags, place one hand on top of bag near lock and apply a moderate amount of pressure while turning the key. This compresses the weather-seal enabling the locking mechanism to turn freely.
- Always inspect to verify each of the saddlebag mounting clips on inside of bag is properly installed when mounting bags. Clips fit into groove on mounting spool. Failure to perform this correctly can cause severe damage and may void warranty.

# INSTALLATION INSTRUCTIONS HARLEY-DAVIDSON SUPER GLIDE FXR MODEL's 213 & S213 1987 - 1994

Figure 2

← FRONT



# TURN SIGNAL RELOCATION

Models 213 & S213

Figure 1

