

**INSTALLATION & CLEANING INSTRUCTIONS  
HARLEY-DAVIDSON SOFTAIL  
MODEL'S#225 & S225-2007- Present  
PARTS INVENTORY**

<u>Description</u>	<u>Quantity</u>
3/8" x 24mm MOUNTING SPOOL	2
3/8" x 1" 1/2 " BUTTON HEAD CAP SCREW	4
3/8" x 2" SOCKET HEAD BOLT	2
LOCKNUT, 3/8"	6
FLAT WASHER, 3/8"	12
10 x 10.4 x 3mm BLACK PLASTIC SPACERS	4
22 X 10.4 X 10mm BLACK PLASTIC SPACERS	2
SILICONE LUBRICANT	1
SUPPORT BRACKET ASSEMBLY	2
<b>TURN SIGNAL RELOCATION KIT includes:</b>	
ELECTRICAL WIRE	96"
WIRE CONNECTORS	8
TURN SIGNAL RELOCATION BRACKET	1
5/16"-24 X3/4" HEX CAP SCREWS	2
LOCKWASHER, 5/16"	2
1/4"-20 X3/4" HEX CAP SCREWS	2
FLAT WASHER, 1/4"	4
LOCKNUT, 1/4" - 20	2
5/16"-18X3/4" HEX CAP SCREWS	2
5/16 SAE FLATWASHERS	2
8 x 22 x 5mm BLACK PLASTIC SPACER	2

**TURN SIGNAL RELOCATION**

1. Refer to Figure 1.
2. Remove seat.

*NOTE: IF YOUR BIKE IS EQUIPPED WITH CRASH BARS YOU WILL HAVE TO ORDER RELOCATION KIT #902.*

*SAFETY: DISCONNECT BATTERY PRIOR TO ALL WIRING MODIFICATIONS*

3. Remove turn signals. Observe and mark "left" and "right" for reinstallation.

*Turn signal bracket may be oriented forward or backward as required.*

4. Mount turn signals directly to bracket using 5/16" x 3/4" - 24 Hex cap screws or 5/16" x 3/4" - 18 Hex cap screws with 5/16" lock washers and 5/16 flat washers, *depending on the year of your motorcycle*. For a clean installation remove top center mounting bolt on license plate bracket and run wires through this hole.

Note: If you have the bullet style turn signal lights, disassemble and discard turn signal extension, use 8 x 22 x 5mm black plastic spacer and refer to Fig # 2.

**Information:** Not all license plate mounts are grounded. In some cases, it may be necessary to run a ground wire to turn signal bracket.

**WARNING:** States may have minimum width requirements on motorcycle turn signals so check your local laws.

5. Turn signal wires must be extended. Splice wires, one at a time, while observing color code.

6. Install turn signal bracket between license plate and license plate bracket using 1/4"-20 x 3/4" Hex cap screw, then 1/4" Flat washer then through plate and bracket and again through 1/4" Flat washer then 1/4"-20 locknut.
7. Connect battery and test turn signals for function.

### **SADDLEBAG INSTALLATION**

8. For years 2007 TO PRESENT refer to Figure # 3 without backrest, Figure # 4 with backrest.
9. Remove bolts from fender brace.
10. Install Support Bracket Assembly outside of the fender brace.
11. If installing a backrest with bags refer to Fig # 4. Place backrest over support bracket and fasten with same hardware used as without backrest. Adding (2) 3/8" flat washers between backrest and fender brace at the rear hole.
- 0
12. Install 3/8" x 2 " Socket head bolt and 3/8" Mounting Spool (with chamfer on spool under head of bolt) into the rear hole. Use 3/8" x 1 1/2" button head cap screw in the two middle holes, Install 3/8" Flat washer and 3/8"-16 Locknut on inside of fender. Utilize the factory bolt and nut in front hole. Do not tighten to permit "Play" to align bags with spools.
13. Repeat procedure on opposite side.

Bags will be easier to mount and remove if a small amount of silicone

lubrication is applied to rubber mounting points.

14. Mount saddlebags over spools on fender strut and secure with clips located inside of saddlebags. At this time tighten all bolts and verify that adequate clearance exists between belt guard and rear frame members.
16. Reinstall seat.

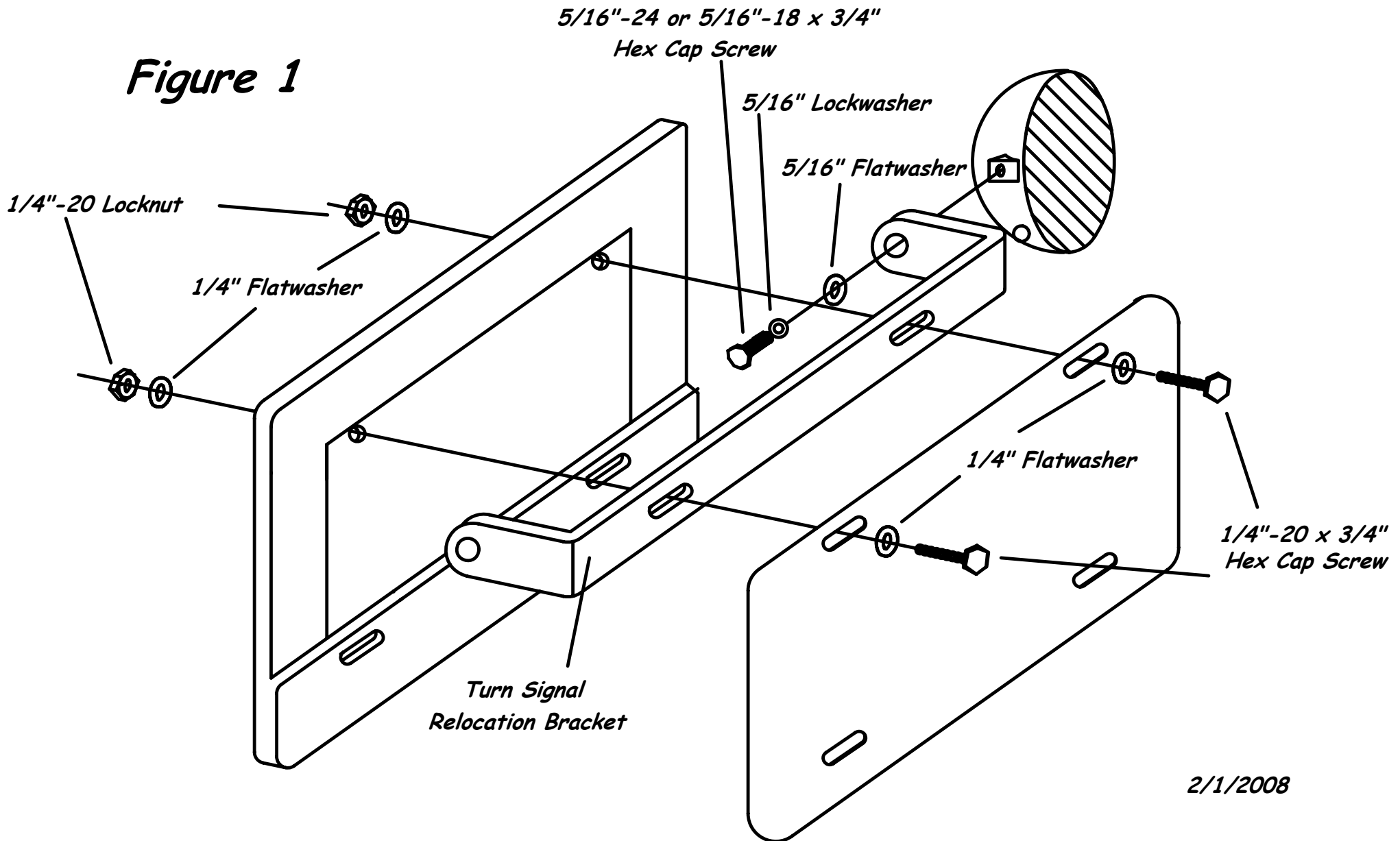
### **SADDLEBAG CARE INSTRUCTIONS**

- Do not exceed 20 lbs. per saddlebag this includes sitting or standing on bags, it is a common occurrence for a non-rider to attempt to sit on bags, this also may void warranty.
- Periodically, apply a small amount of silicone lubrication to rubber mounting points. Saddlebags will be easier to mount and remove.
- Remove grease, oil or mud with mild detergent and water. For fast touch-up, *Windex* or *Turtle Wax F-21* will restore original luster. The use of any other chemicals may discolor the saddlebags.
- Whenever possible, release locks on saddlebag lids to allow the gaskets to expand during storage.
- If you use bags to ice down drinks, later remove bags, drain water and blot up excess water. The foam interior lining is closed-cell foam and does not retain water. Leave lids open until interiors are dry.
- Use white *Scotch Brite* scour pad (ultra-fine, only) to remove scratches & shiny spots and restore luster. This can be purchased at an automotive supply store.

- When locking or unlocking saddlebags, place one hand on top of bag near lock and apply a moderate amount of down pressure while turning the key. This compresses the weather-seal enabling the locking mechanism to turn freely.
- Always inspect to verify each of the saddlebag mounting clips on inside of bag is properly installed when mounting bags. Clips fit into groove on mounting spool. Failure to perform this correctly can cause severe damage and may void warranty.

# TURN SIGNAL RELOCATION KIT S225-07 & 225-07

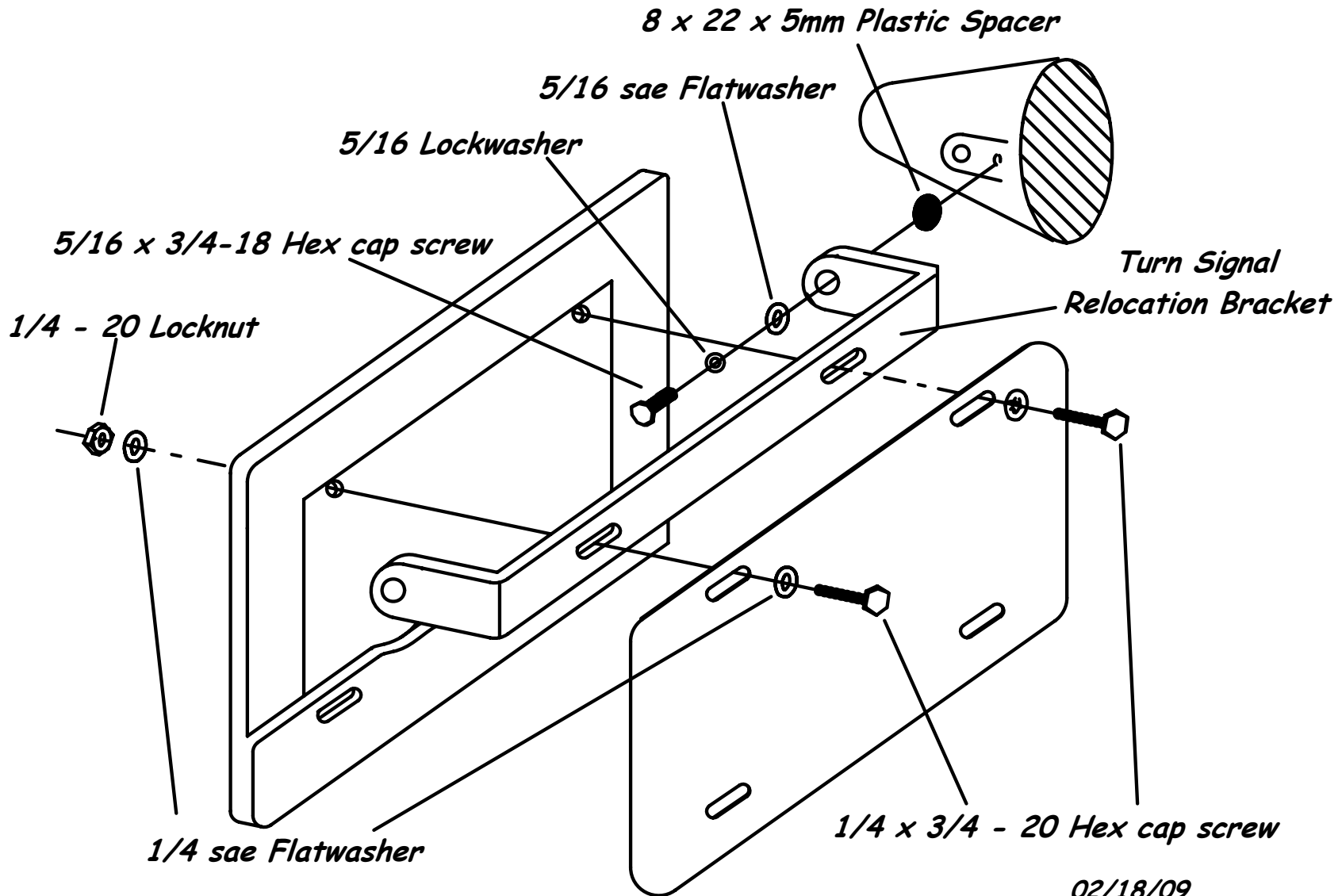
Figure 1



2/1/2008

# Figure 2

## *For Models With Bullet Style Light Turn Signal Relocation Kit 225-07 & S225-07*







# INSTALLATION INSTRUCTIONS

## Model# 225-07 & s225-07

Figure 4 With Backrest

