

**INSTALLATION INSTRUCTIONS
HARLEY DAVIDSON DYNA
FATBOB 2009
MODEL# 231 & S231**

Item Description	QTY
3/8" MOUNTING SPOOLS	4
3/8" x 3" BUTTON HEAD CAP SCREWS	4
22 x 25 x 9.5mm ALUMINUM SPACER	2
22 x 22 x 9.5mm ALUMINUM SPACER	2
10.4 x 22 x 3mm BLACK PLASTIC SPACER	4
SUPPORT BRACKET HARDWARE	
10/32" x 3/4" FLAT HEAD MACHINE SCREW	4
10/32" LOCK NUTS	4
1" 1/2 BUMPERS	4
SILICON LUBRICANT	1

*** Assemble support brackets

1. Refer to figure 2. place 1"1/2" rubber bumpers on the support bracket and secure with the 10/32" x 3/4" flat head machine screw and the 10/32" lock nuts.
2. Start on the right side of the motorcycle.
3. Remove factory bolts from chrome fender brace.
4. Reach up under fender and remove factory threaded bracket as shown in figure 1.
5. Place right side support bracket over factory bracket and replace inside fender. (bumpers facing out).

6. Place a 10.4 x 22 x 3mm black plastic spacer and the 22 x 22 x 9.5mm aluminum spacer and 3/8" mounting spool on front and secure with the 3/8" x 3" button head cap screw. As shown in figure 1.

7. Place a 22 x 22 x 3mm black plastic spacer and the 22 x 25 x 9.5mm aluminum spacer and the 3/8" mounting spool on the rear and secure with the 3/8" x 3" button head cap screw.

8. Repeat procedure on the opposite side of the bike.

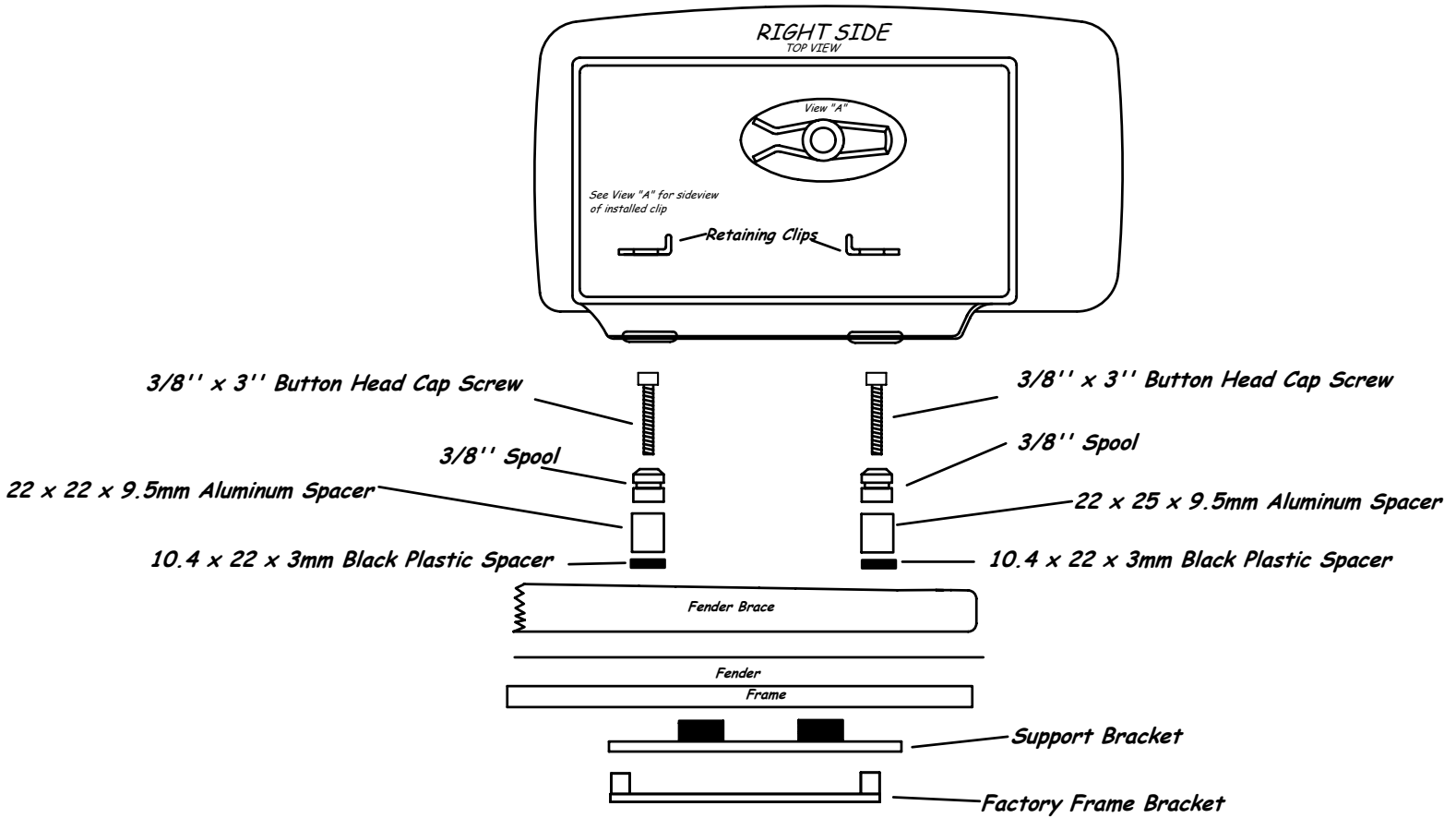
SADDLEBAG CARE INSTRUCTIONS

- Do not exceed 20 lbs. per saddlebag this includes sitting on bags, it is a common occurrence for a non-rider to attempt to sit on bags, this also may void warranty.
- Periodically, apply a small amount of silicone lubrication to rubber mounting points. Saddlebags will be easier to mount and remove.
- Remove grease, oil or mud with mild detergent and water, for fast touch-up, *Windex* or *Turtle Wax F-21* will restore original luster. The use of any other chemicals may discolor the saddlebags.
- Whenever possible, release locks on saddlebag lids to allow the gaskets to expand during storage.
- If you use bags to ice down drinks, later remove bags, drain water and blot up excess water. The foam interior lining is closed-cell foam and does not retain water. Leave lids open until interiors are dry.
- Use white *Scotch Brite* scour pad (ultra-fine, only) to remove scratches & shiny spots and restore luster. This can be purchase at an automotive supply store.
- When locking or unlocking saddlebags, place one hand on top of bag near lock and apply a moderate amount of pressure while turning the key. this compresses the weather-seal enabling the locking mechanism to turn freely.
- Always inspect to verify each of the saddlebag mounting clips on inside of bag is properly installed when mounting bags. Clips fit into groove on mounting spool. Failure to perform this correctly can cause severe damage and may void warranty.

INSTALLATION INSTRUCTIONS HARLEY DAVIDSON FAT BOB 2009 MODEL # 231 & S231

Figure 1

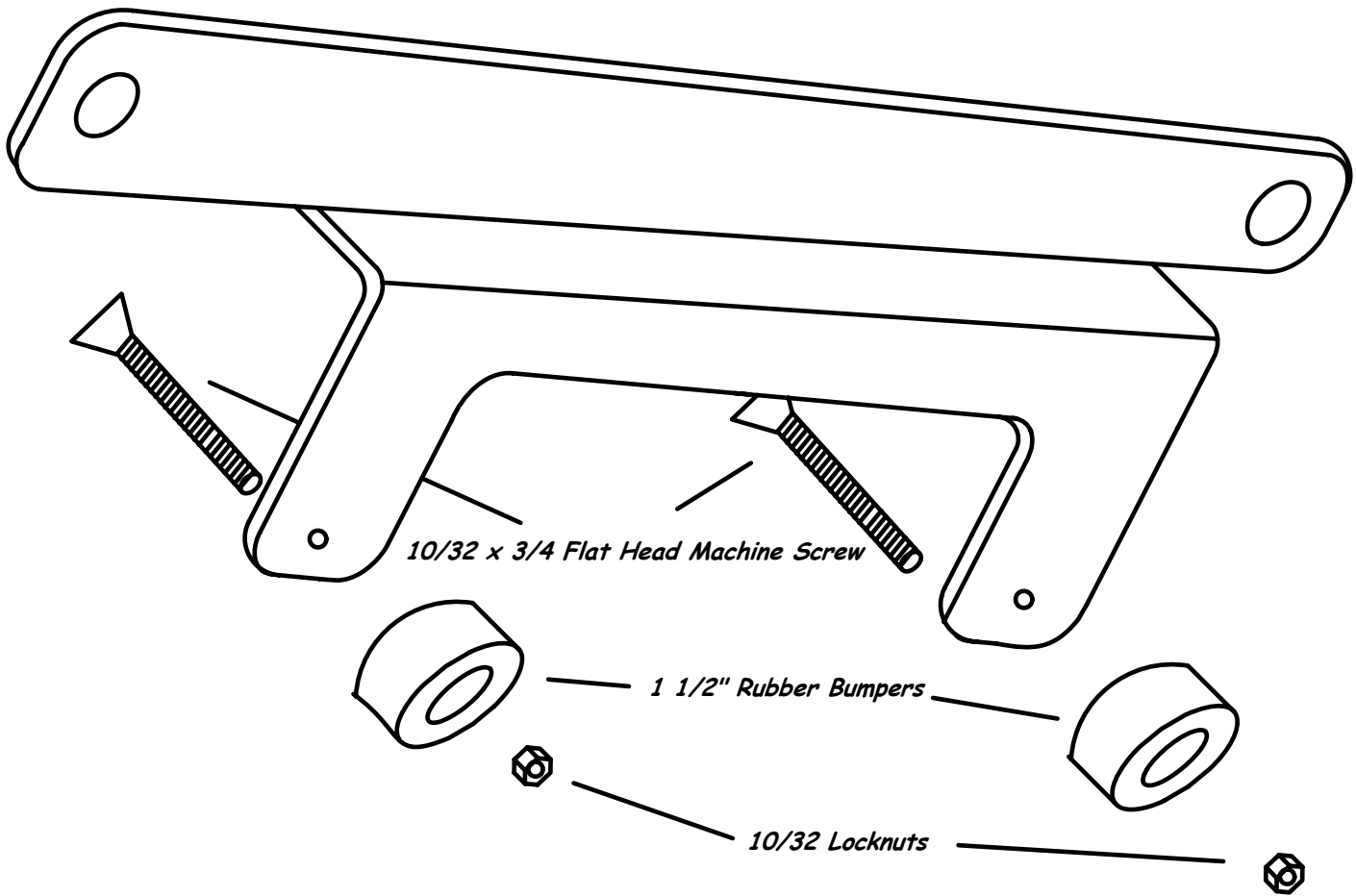
← FRONT



Harley Davidson Fat Bob 2009

Model # 231 & S231

Figure 2



4/21/10