

INSTALLATION & CLEANING INSTRUCTIONS  
HONDA ACE & SHADOW

MODEL'S 310, S310, 320 & S320

NOTE: 310 WILL FIT SHADOW SPIRIT, 320 WILL NOT FIT.

PARTS INVENTORY

<u>Item</u>	<u>Quantity</u>
10-32 x 1 3/4" FLAT HEAD SCREW	4
5 MM MOUNTING SPOOL	4
10-32 LOCKNUT	4
10 x 5 x 10 MM BLACK PLASTIC SPACER	2
WASHER, BLACK OVAL	4
SILICONE	1
<b>TURN SIGNAL RELOCATION KIT includes:</b>	
ELECTRICAL WIRE	96"
6 x 25 MM HEX CAP SCREW	2
6 MM LOCKNUT	2
1/4" FLATWASHER	4
CONNECTORS	8
18 x 15 x 8MM BLACK PLASTIC SPACER	2
5/16" FLATWASHER	2
TURN SIGNAL RELOCATION BRACKET	1
8 x 22 x 3 MM BLACK PLASTIC SPACER	4
6 x 35 MM HEX CAP SCREW	2

**TURN SIGNAL RELOCATION**

1. Refer to Figure 1. Remove seat.

**SAFETY: DISCONNECT BATTERY PRIOR TO ALL WIRING MODIFICATIONS**

2. Disconnect wires to turn signals and taillights under seat.
3. Remove three bolts on each side that secures fender to strut.
4. Lower fender onto tire and remove.
5. Remove turn signals from fender strut. Observe and mark "left" and "right" for reinstallation.

6. Cut each turn signal wire 3" from connector end and splice 24" of electrical wire.

**Turn signal bracket must be oriented forward (ears of bracket to the front).**

7. Install turn signal bracket between license plate and license plate bracket using the 6 x 25mm hex cap screws, 1/4" flat washers, and 6 mm locknuts. For the Spirit and VT Shadow use the 6 x 35mm hex cap screws and (2) 8 x 22 x 3 mm black plastic spacers in between the turn signal relocation bracket and the license plate bracket.

8. Mount turn signals to bracket. Secure stalk to bracket using original nut with the 18 x 15 x 8mm spacer and 5/16" flat washer.

**Information: Not all license plate mounts are grounded. In some cases, it may be necessary to run a ground wire to turn signal bracket.**

**WARNING: States may have minimum width requirements on motorcycle turn signals, so check your local laws.**

9. Remove license plate light mounting bolts. Route turn signal wires through same grommet as license plate light.

10. Install license plate light.

11. Secure wires under fender using wire clips.

### **SADDLEBAG INSTALLATION**

12. Refer to Figure 2.

13. Remove red reflectors on each fender strut.

14. Insert 10 x 5 x 10mm black plastic spacer into rubber turn signal mount.

15. Place black oval washers over each rubber turn signal mount insuring "orientation" hole is covered.

16. Install 10-32 x 1 3/4" flat head screw and 5mm mounting spool over black oval washer and 10 x 5 x 10mm spacer. Secure on inside of fender strut with 10-32 locknut.

17. Repeat procedure on opposite side.

18. Install fender using original hardware.
19. Connect battery and test turn signals for function.
20. Install seat.
21. Mount saddlebags over spools on fender strut and secure with clips, retained inside bags. Saddlebags will be easier to mount and remove if a small amount of silicone lubrication is applied to the rubber mounting points.
22. Inspect each clip to verify each clip is properly seated in retaining groove. See View "A".

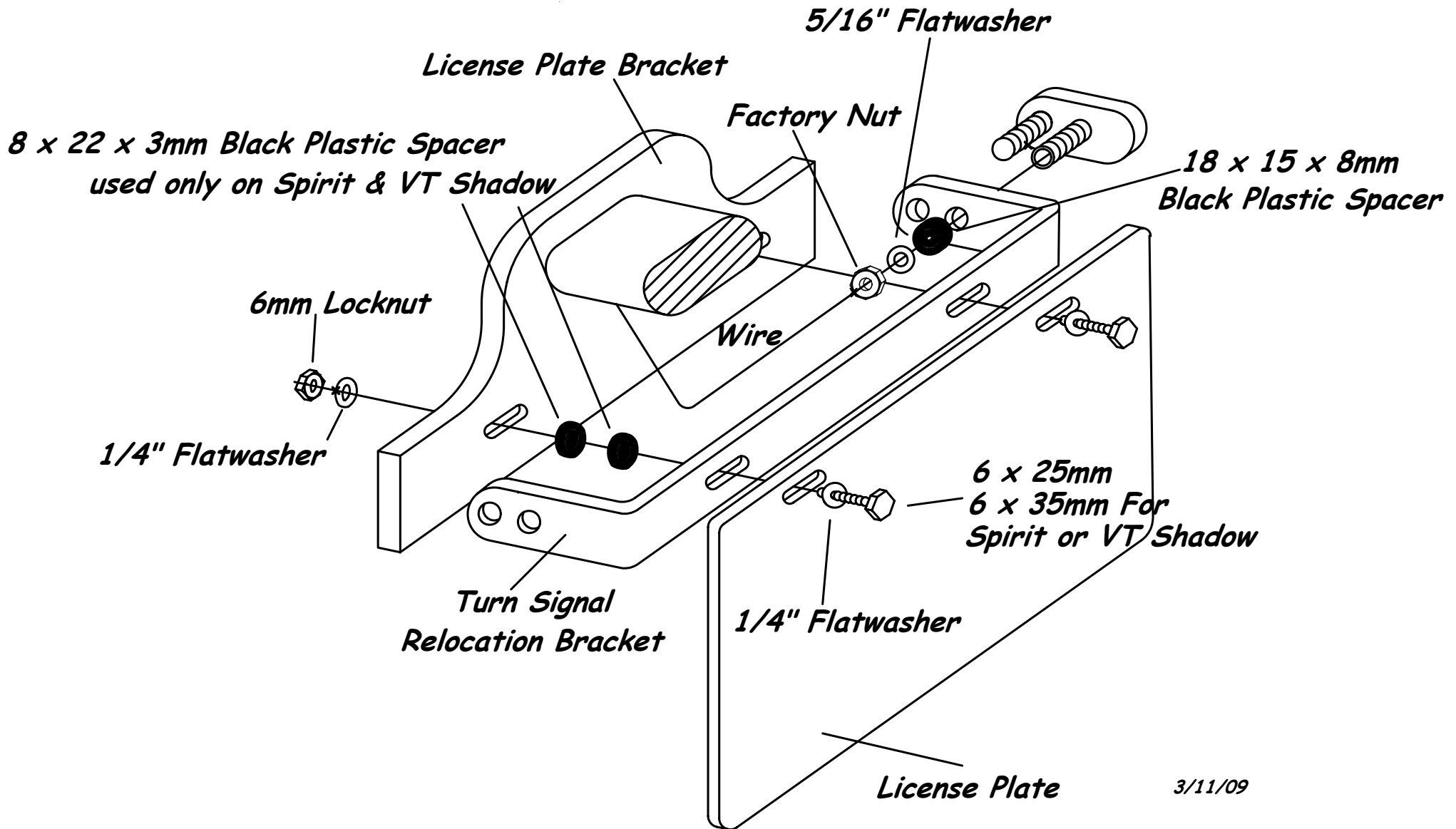
### SADDLEBAG CARE INSTRUCTIONS

- Do not exceed 20 lbs. per saddlebag this includes sitting or standing on bags, it is a common occurrence for a non-rider to attempt to sit on bags, this also may void warranty.
- Periodically, apply a small amount of silicone lubrication to rubber mounting points. Saddlebags will be easier to mount and remove.
- Remove grease, oil or mud with mild detergent and water. For fast touch-up, *Windex or Turtle Wax F-21* will restore original luster. The use of any other chemicals may discolor the saddlebags.
- Whenever possible, release locks on saddlebag lids to allow the gaskets to expand during storage.
- If you use bags to ice down drinks, later remove bags, drain water and blot up excess water. The foam interior lining is closed-cell foam and does not retain water. Leave lids open until interiors are dry.
- Use white *Scotch Brite* scour pad (ultra-fine, only) to remove scratches & shiny spots and restore luster. This can be purchased at an automotive supply store.
- **When locking or unlocking saddlebags, place one hand on top of bag near lock and apply a moderate amount of pressure while turning the key. This compresses the weather-seal enabling the locking mechanism to turn freely. Always inspect to verify each of the saddlebag mounting clips on inside of bag are properly installed when mounting bags. Clips fit into groove on mounting spool. Failure to perform this correctly can cause severe damage and may void warranty.**

# TURN SIGNAL RELOCATION KIT

Figure 1

Model # 310-S310 & 320-S320



# **INSTALLATION INSTRUCTIONS**

**HONDA, ACE (95 to Present)**  
**HONDA, SHADOW 1100 (87 to Present)**  
**HONDA, SHADOW SPIRIT (97 to Present)**  
**Model # 310-S310 and 320-S320**

*Figure 2*

← FRONT

